

**ENERGY&EXPERIENCE**
**DESIGN SERVICES:**

- Mechanical Equipment
- Structures & Buildings
- Process Pipework
- Civils & Earthworks
- Electrical Equipment

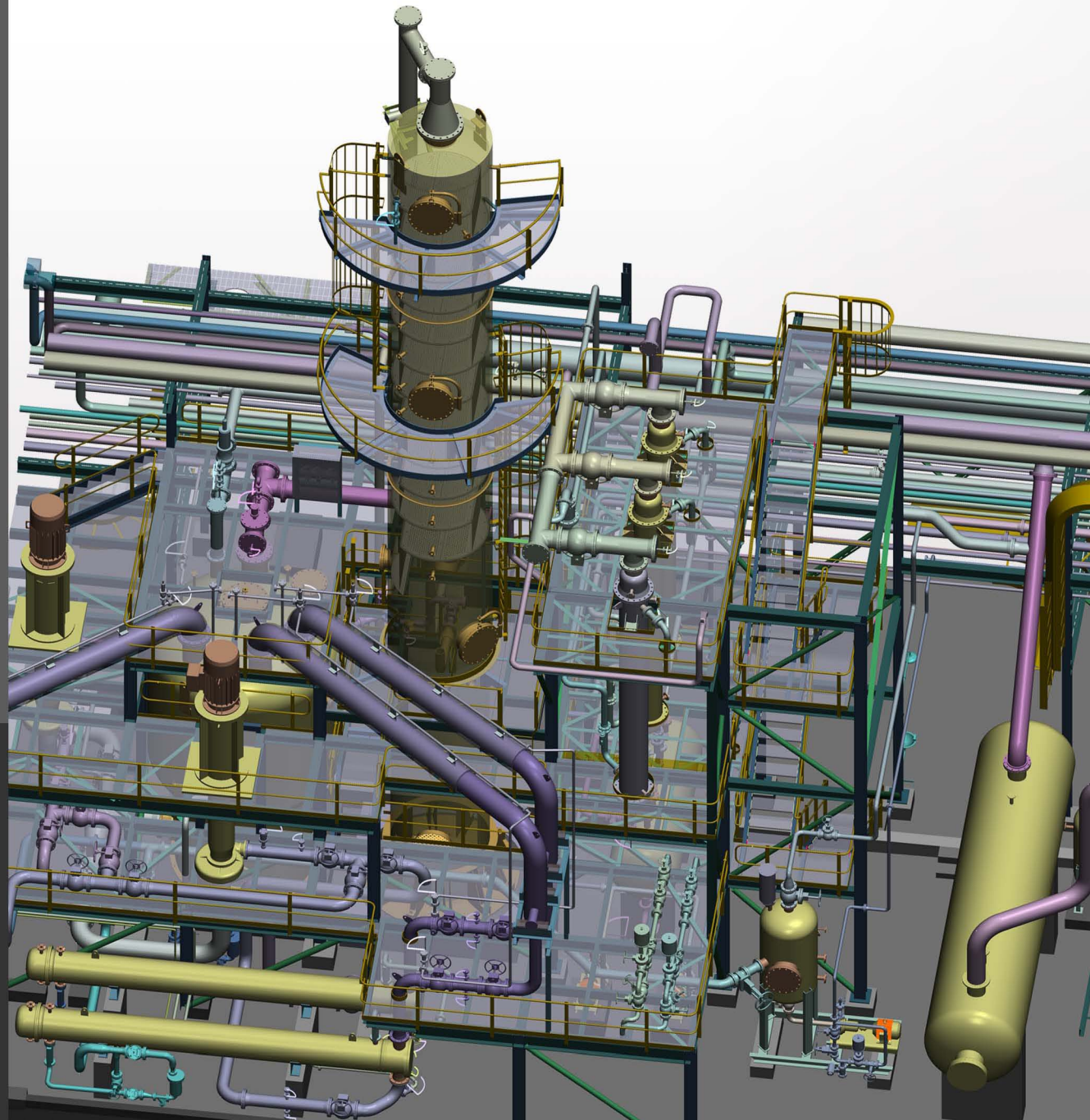
**ENGINEERING SERVICES:**

- Process
- Mechanical
- Structural
- Piping
- Electrical

**AREAS OF EXPERTISE:**

- Nickel
- Coal
- Iron Ore
- Alumina
- Copper
- Zinc
- Gold
- Molybdenum
- Titanium Dioxide
- Sulphuric Acid
- Power Plants

*With proven design capabilities, spanning all core engineering disciplines, Sargon Engineering creates comprehensive process plant & infrastructure design solutions for the resource sector. Incorporating a balanced emphasis on safety, operability, process optimisation and sustainability, the success of our projects is well provided for. Careful management across departments -mechanical, civil, structural, piping and electrical- ensures the cohesive advancement of all work. Plant design is established in a 3D CAD environment, which assists integration and facilitates design & HAZOP reviews, clash-checking, and constructability and crane studies. With the conclusion of all review cycles and analytics, construction drawings are prepared and issued for use by fabrication and construction contractors. From project conception, to a fully commissioned installation, Sargon Engineering has the depth of experience to deliver projects that achieve design excellence.*


**PROCESS:**

- Process Flow Diagrams w/ Stream Tables
- Piping & Instrumentation Diagrams
- Block Flow Diagrams

**MECHANICAL:**

- Site Layouts
- General Arrangements
- Mechanical Details
- Vessel Details & Data
- Materials Handling Drgs

**STRUCTURAL:**

- Plans and Elevations
- Anchor Plans & Base Plates
- Connection Details
- Shop & Erection Details
- Grating Plans

**PIPING:**

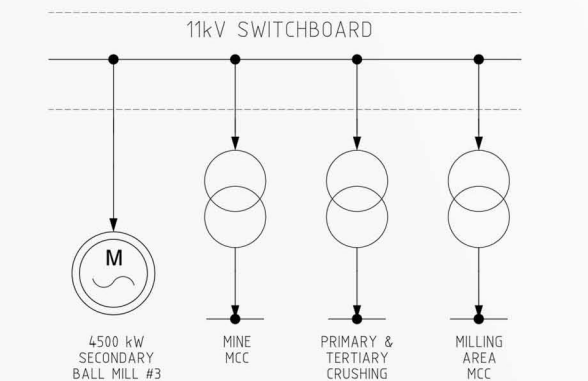
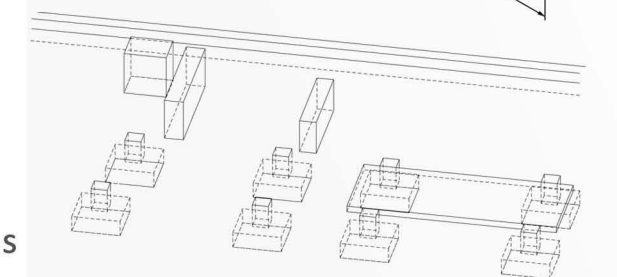
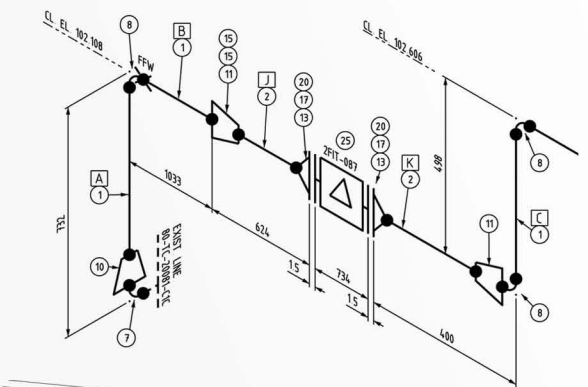
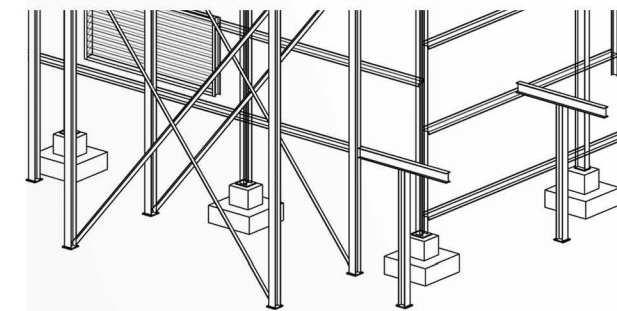
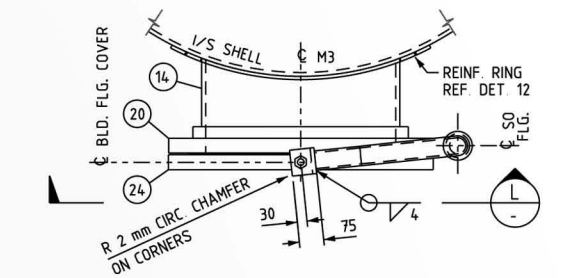
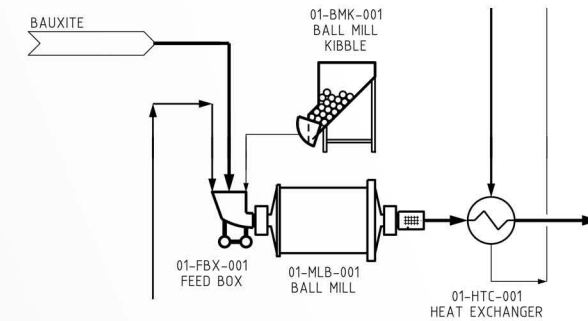

- General Arrangements
- Piping Details
- Isometric Drawings
- Pipe Rack Design
- Pipe Support Details

**CIVIL:**


- Underground Services
- Grading & Paving
- Piling
- Berm Foundations
- Slabs, Anchors & Foundations

**ELECTRICAL:**

- Single Line Diagrams
- Schematic Diagrams
- Interconnection Details
- Power Layout Details
- Lighting & Cable Tray Layouts
- Earthing Layouts


**CONTACT US:**
 (08) 9373 1900

 info@sargon.com.au

 Unit 4, 138 Abernethy Rd,  
Belmont, WA, 6104

 www.sargon.com.au